

225B

225B X-SERIES

Spare parts

Ersatzteile

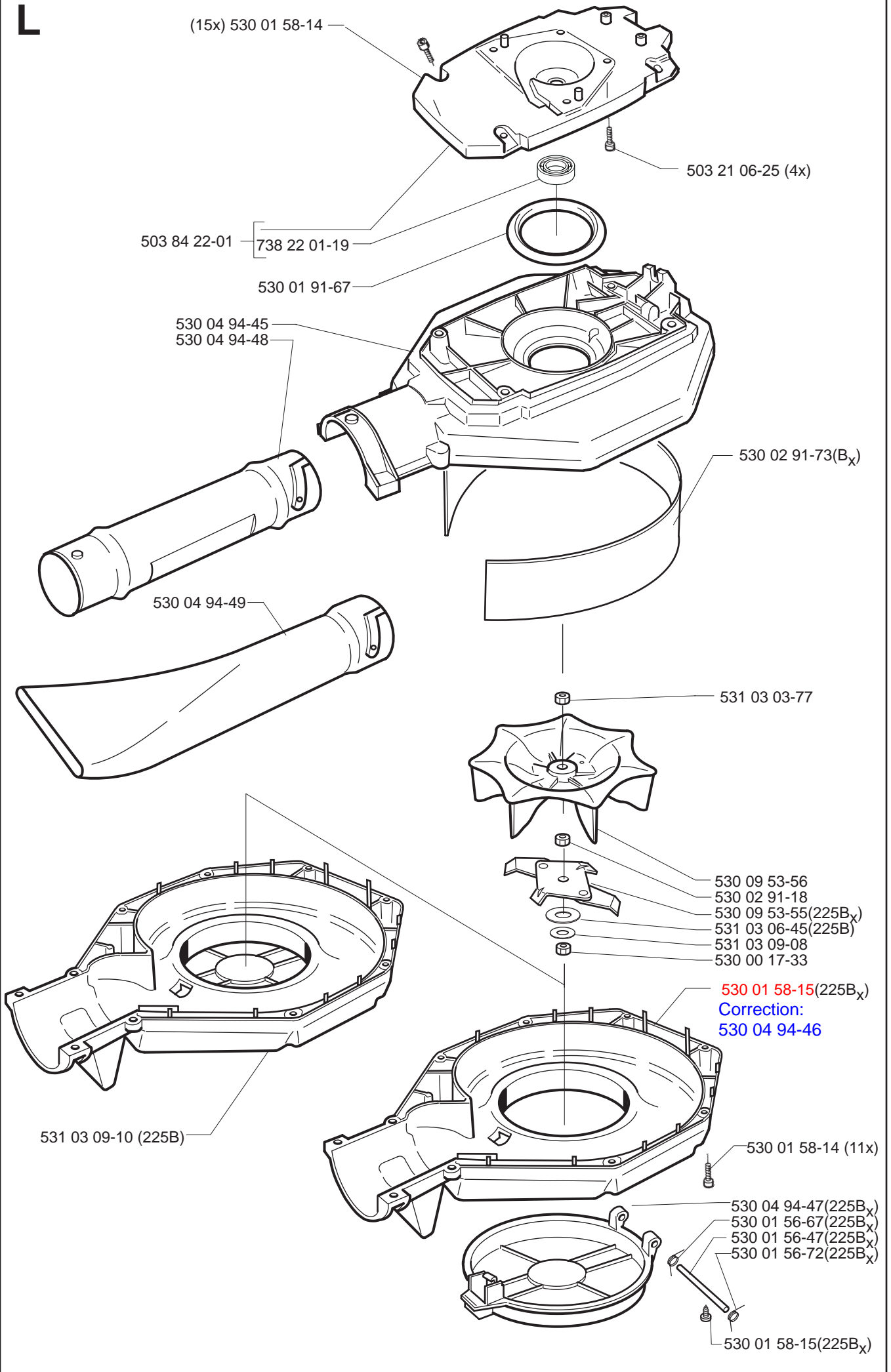
Pièces détachées

Reserve onderdelen

Repuestos

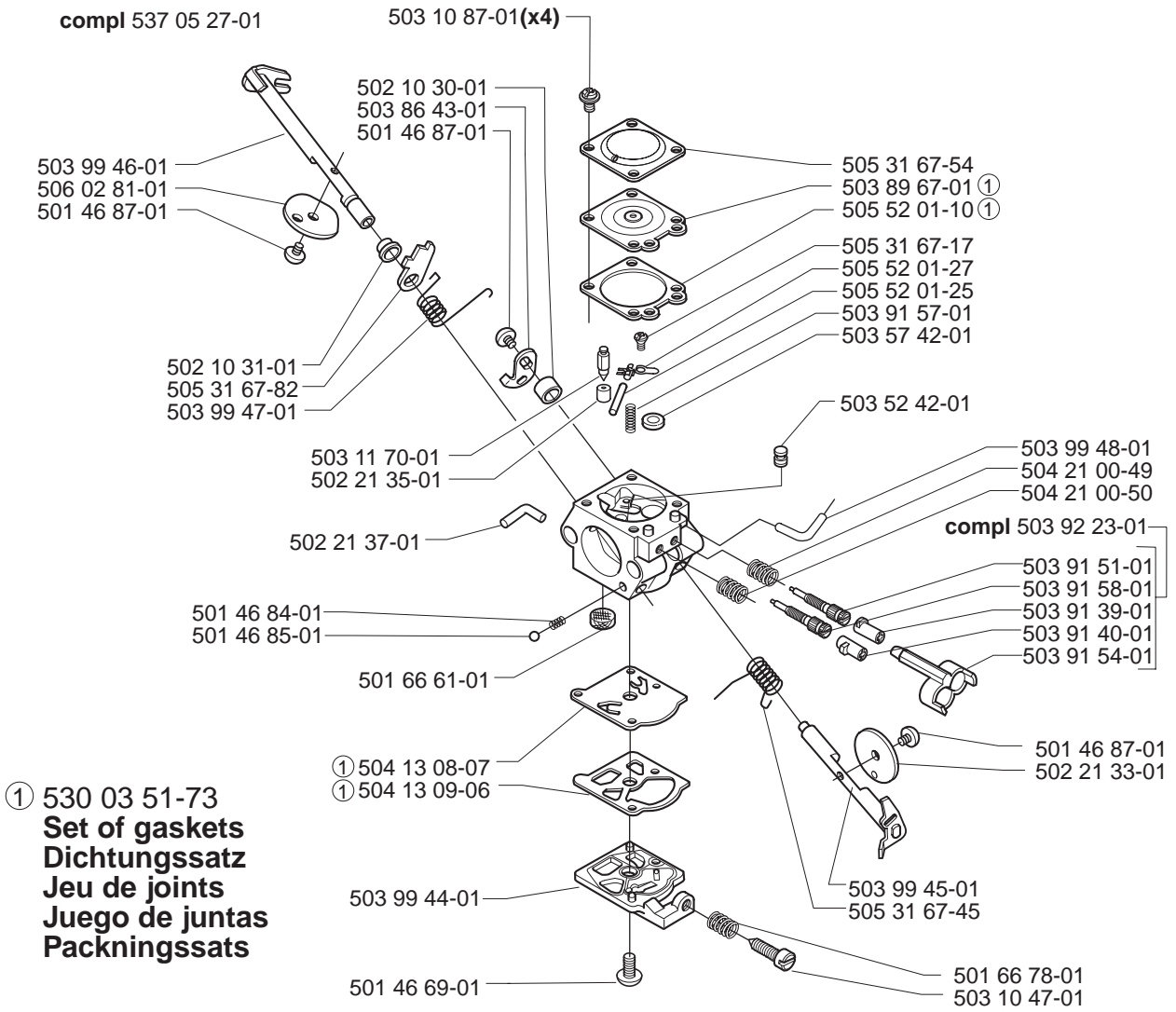
Reservdelar

L



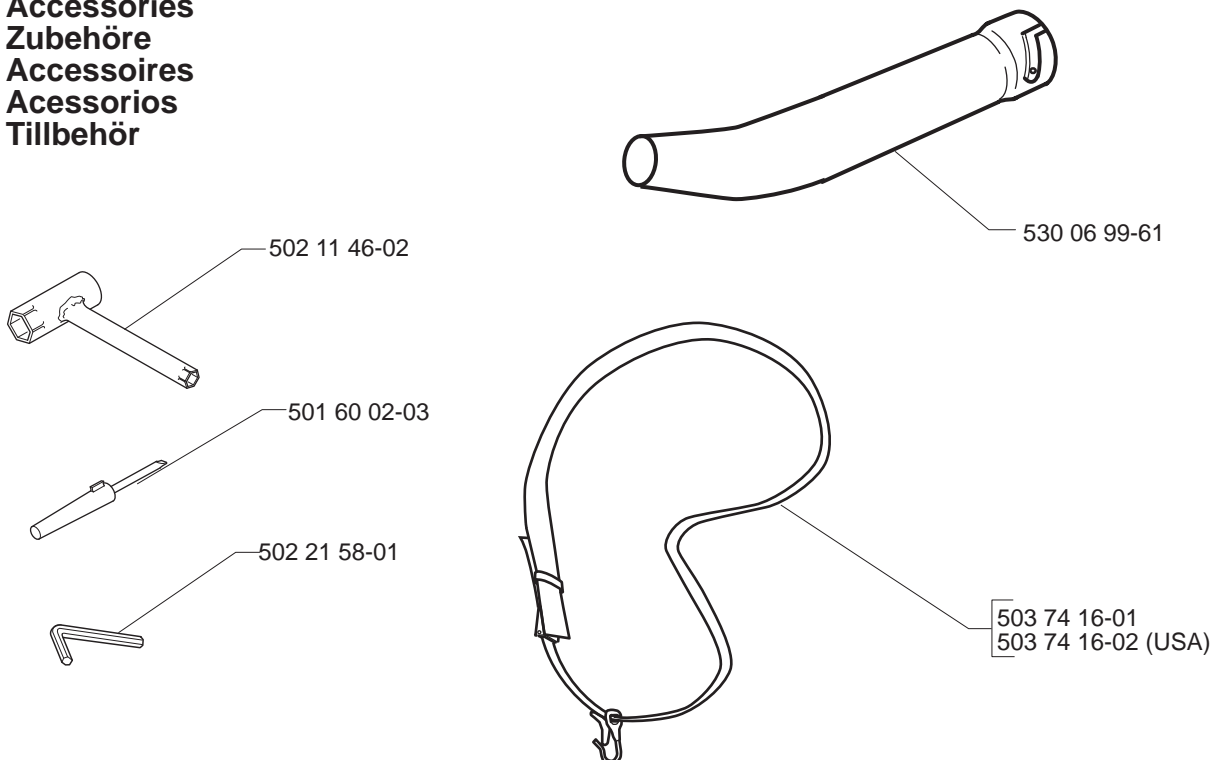
M

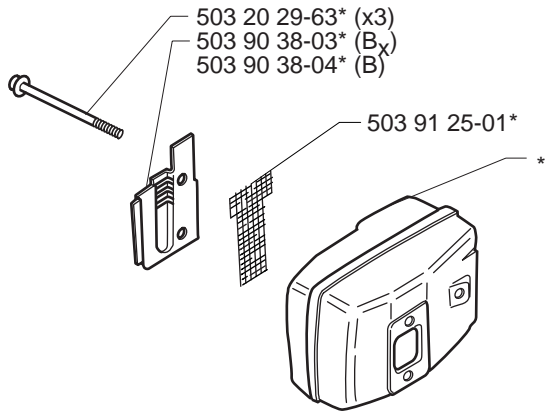
compl 503 28 15-16 Walbro WT 500B



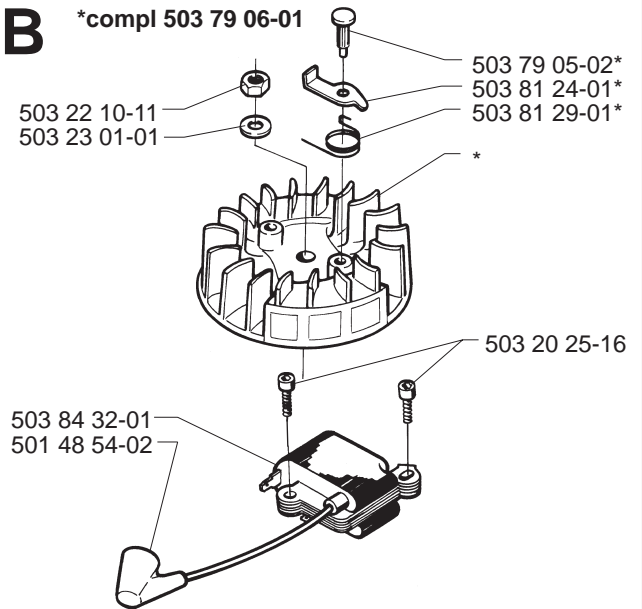
N

Accessories
Zubehöre
Accessoires
Accesorios
Tillbehör

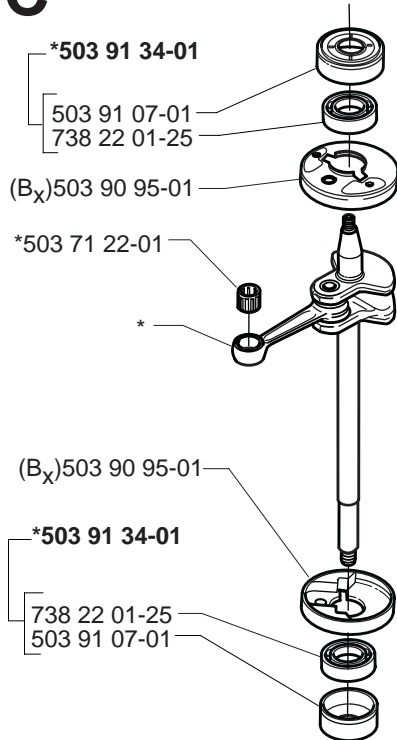
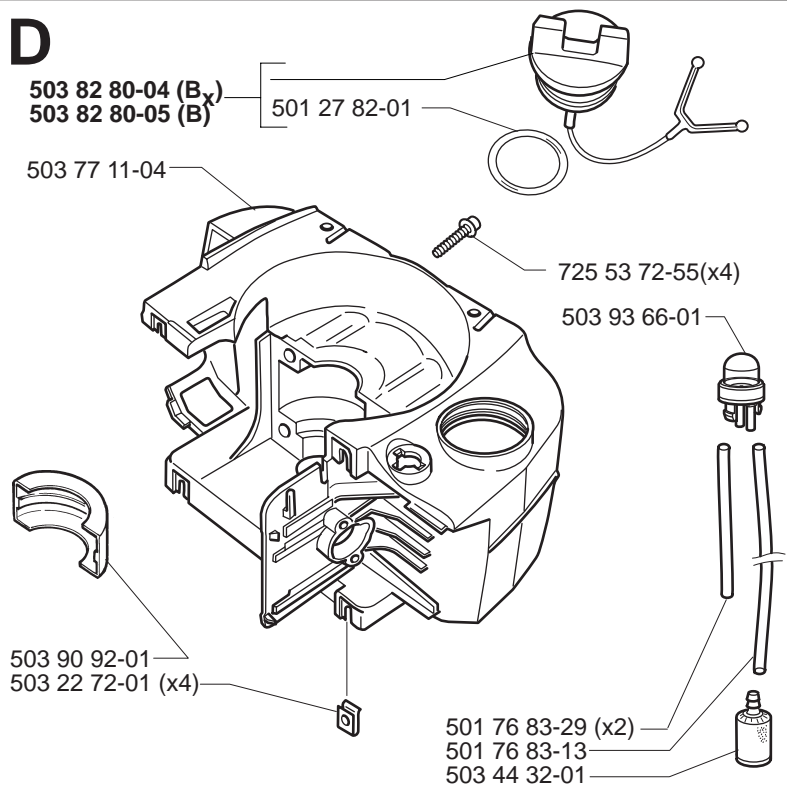


A*compl 503 90 40-03 (B_x)
*compl 503 90 40-04 (B)**B**

*compl 503 79 06-01

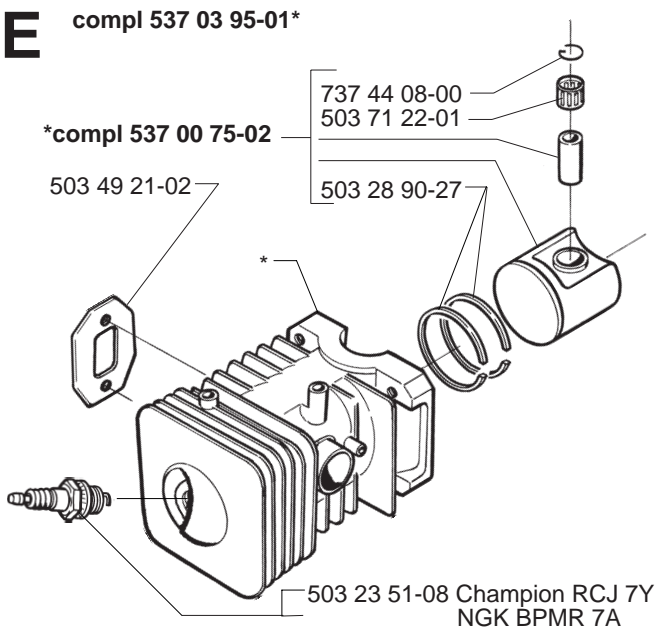
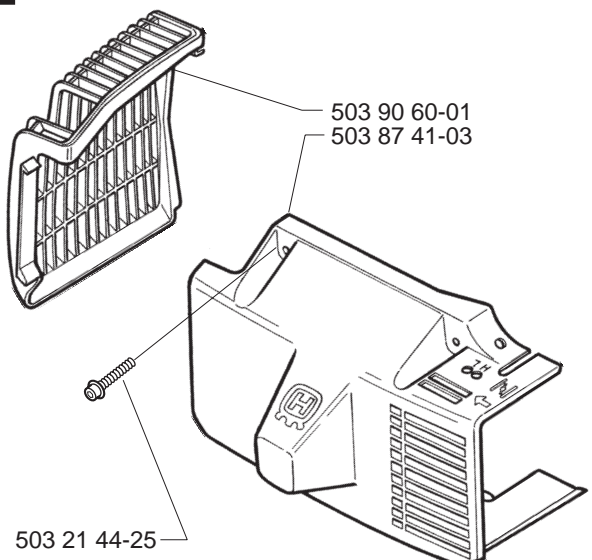
**C**

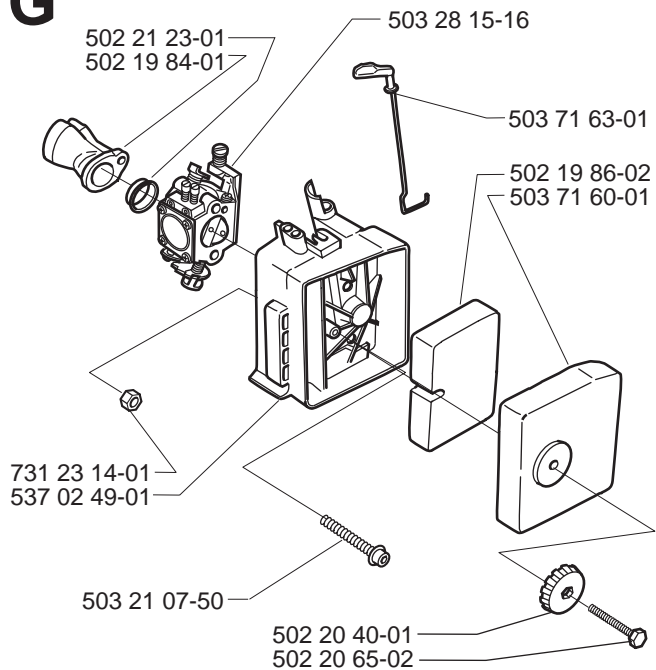
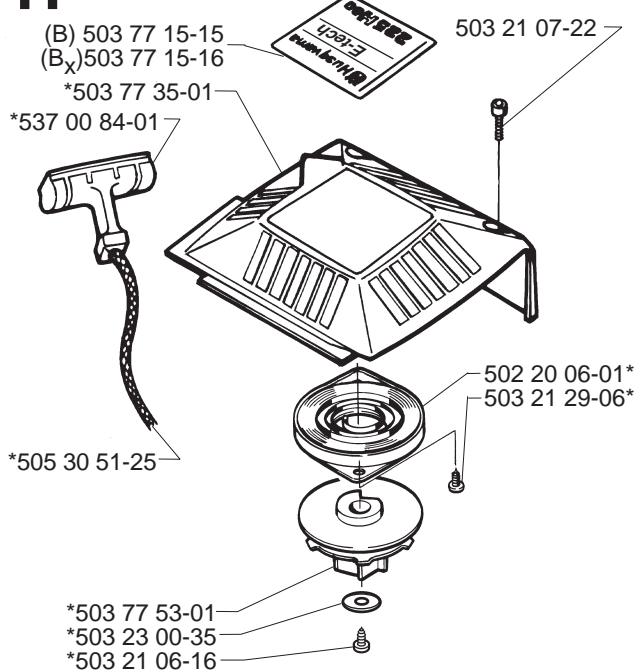
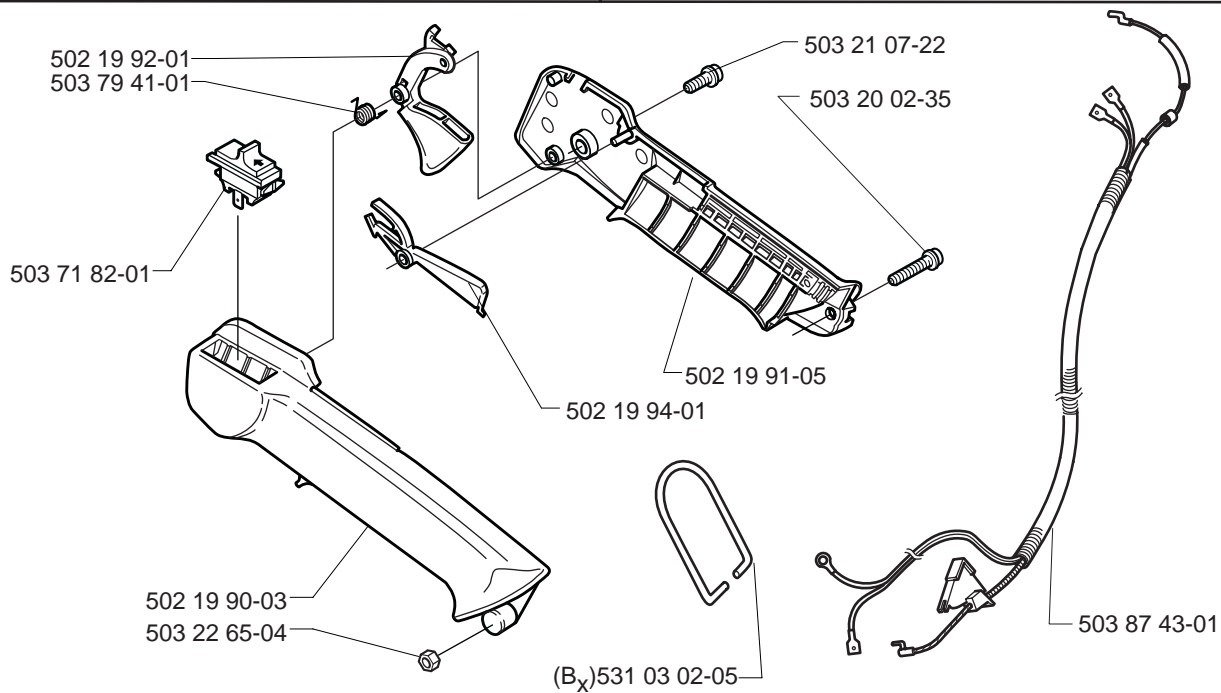
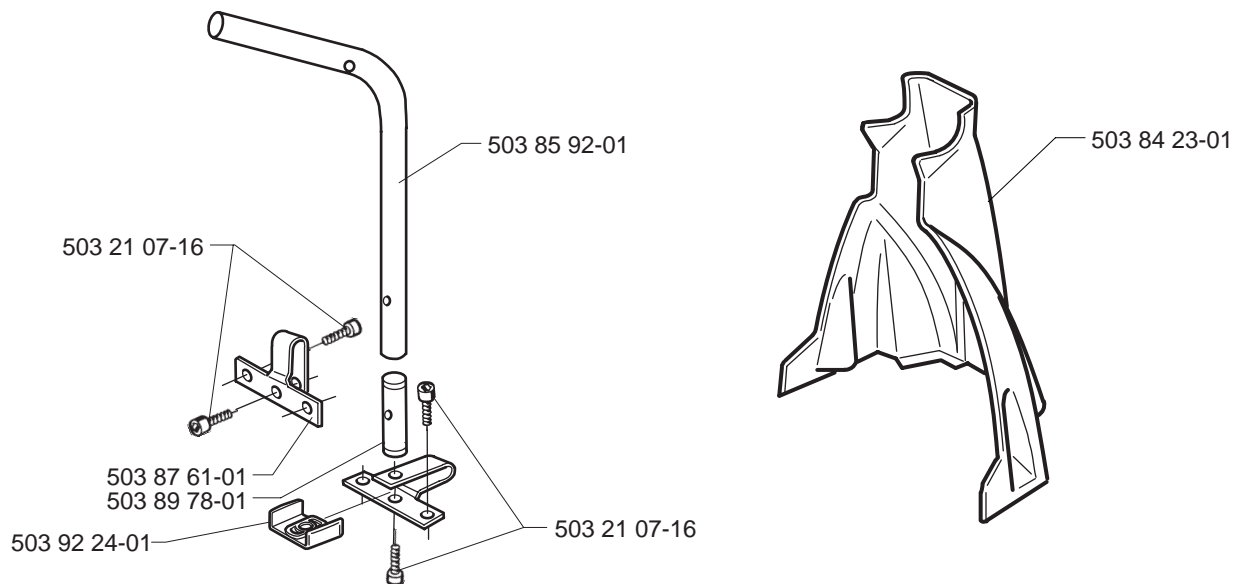
*compl 503 93 46-01

**D**503 82 80-04 (B_x)
503 82 80-05 (B)**E**

compl 537 03 95-01*

*compl 537 00 75-02

**F**503 90 60-01
503 87 41-03

G**H** *compl 503 77 34-01**J****K**

225B, 225Bx-SERIES

PART NUMBER	SQUARE NOTE	PART NUMBER	SQUARE NOTE	PART NUMBER	SQUARE NOTE	PART NUMBER	SQUARE NOTE
501 27 82-01	D	503 84 32-01	B	725 53 72-55	D		
501 46 69-01	M	503 85 92-01	K	731 23 14-01	G		
501 46 84-01	M	503 86 43-01	M	737 44 08-00	E		
501 46 85-01	M	503 87 41-03	F	738 22 01-19	L		
501 46 87-01	M	503 87 43-01	J	738 22 01-25	C		
501 48 54-02	B	503 87 61-01	K				
501 66 61-01	M	503 89 67-01	M				
501 66 78-01	M	503 89 78-01	K				
502 10 30-01	M	503 90 38-03	A				
502 10 31-01	M	503 90 38-04	A				
			N				
502 11 96-01	M	503 90 40-03	A				
502 19 84-01	G	503 90 40-04	A				
502 19 86-02	G	503 90 60-01	F				
502 19 90-03	J	503 90 92-01	D				
502 19 91-05	J	503 90 95-01	C				
502 19 92-01	J	503 91 07-01	C				
502 19 94-01	J	503 91 25-01	A				
502 20 06-01	H	503 91 34-01	C				
502 20 40-01	G	503 91 39-01	M				
502 20 65-02	G	503 91 40-01	M				
502 21 23-01	G	503 91 51-01	M				
502 21 33-01	M	503 91 54-01	M				
502 21 34-01	M	503 91 57-01	M				
502 21 35-01	M	503 91 58-01	M				
502 21 37-01	M	503 92 23-01	M				
503 10 47-01	M	503 92 24-01	K				
503 10 87-01	M	503 93 46-01	C				
503 11 70-01	M	503 93 66-01	D				
503 20 02-35	J	503 99 44-01	M				
503 20 25-16	B	503 99 46-01	M				
503 20 29-63	A	503 99 47-01	M				
503 21 06-16	H	503 99 48-01	M				
503 21 06-25	L	504 13 08-07	M				
503 21 07-16	K	504 13 09-06	M				
503 21 07-22	HJ	504 21 00-49	M				
503 21 07-50	G	504 21 00-50	M				
503 21 29-06	H	505 30 51-25	H				
503 21 44-25	F	505 31 67-17	M				
503 22 10-11	B	505 31 67-54	M				
503 22 65-04	J	505 31 67-82	M				
503 22 72-01	D	505 52 01-10	M				
503 23 00-35	H	505 52 01-25	M				
503 23 01-01	B	505 52 01-27	M				
503 23 51-08	E	506 02 81-01	M				
503 28 15-16	GM	530 00 17-33	L				
503 28 90-27	E	530 01 56-47	L				
503 49 21-02	E	530 01 56-67	L				
503 52 42-01	M	530 01 56-72	L				
503 57 42-01	M	530 01 58-14	L				
503 71 22-01	CE	530 01 58-15	L				
503 71 60-01	G	530 01 91-67	L				
503 71 63-01	G	530 02 91-18	L				
503 71 82-01	J	530 02 91-73	L				
503 74 16-01	N	530 03 51-73	M				
503 74 16-02	N	530 04 94-45	L				
503 77 11-04	D	530 04 94-47	L				
503 77 15-15	H	530 04 94-48	L				
503 77 15-16	H	530 04 94-49	L				
503 77 34-01	H	530 06 99-61	N				
503 77 35-01	H	530 09 53-55	L				
503 77 53-01	H	530 09 53-56	L				
503 79 05-02	B	531 03 02-05	J				
503 79 06-01	B	531 03 03-77	L				
503 79 41-01	J	531 03 06-45	L				
503 81 24-01	B	531 03 09-08	L				
503 81 29-01	B	531 03 09-10	L				
503 82 80-04	D	537 00 75-02	E				
503 82 80-05	D	537 00 84-01	H				
503 84 22-01	L	537 02 49-01	G				
503 84 23-01	K	537 03 95-01	E				

N = New part
 Neues teil
 Nouvelle piece
 Nueva pieza
 Ny detalj